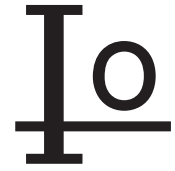


# BAV19WS, BAV20WS, BAV21WS

## Silicon Epitaxial Planar Diodes

High Voltage Switching Diode

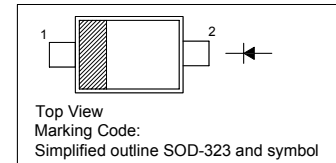


### Features

- Fast switching speed
- Surface mount package ideally suited for automatic insertion

### PINNING

PIN	DESCRIPTION
1	Cathode
2	Anode



### Absolute Maximum Ratings ( $T_a = 25\text{ }^\circ\text{C}$ )

Parameter	Symbol	Value	Unit
Repetitive Peak Reverse Voltage	$V_{RRM}$	120	V
		200	
		250	
Reverse Voltage	$V_R$	100	V
		150	
		200	
Average Rectified Forward Current	$I_{F(AV)}$	200	mA
Forward Continuous Current	$I_{FM}$	400	mA
Repetitive Peak Forward Current	$I_{FRM}$	625	mA
Non-Repetitive Peak Forward Surge Current	$I_{FSM}$	at $t = 1\ \mu\text{s}$ 2.5	A
		at $t = 1\ \text{s}$ 0.5	
Power Dissipation	$P_{tot}$	200	mW
Operating and Storage Temperature Range	$T_j, T_{stg}$	- 65 to + 150	$^\circ\text{C}$

### Characteristics at $T_a = 25\text{ }^\circ\text{C}$

Parameter	Symbol	Min.	Max.	Unit
Reverse Breakdown Voltage at $I_R = 100\ \mu\text{A}$	$V_{(BR)R}$	120	-	V
		200	-	
		250	-	
Reverse Current at $V_R = 100\ \text{V}$ at $V_R = 150\ \text{V}$ at $V_R = 200\ \text{V}$	$I_R$	-	100	nA
		-	100	
		-	100	
Forward Voltage at $I_F = 100\ \text{mA}$ at $I_F = 200\ \text{mA}$	$V_F$	-	1	V
		-	1.25	
Total Capacitance at $V_R = 0, f = 1\ \text{MHz}$	$C_T$	-	5	pF
Reverse Recovery Time at $I_F = I_R = 30\ \text{mA}, I_{RR} = 0.1 \times I_R, R_L = 100\ \Omega$	$t_{rr}$	-	50	ns

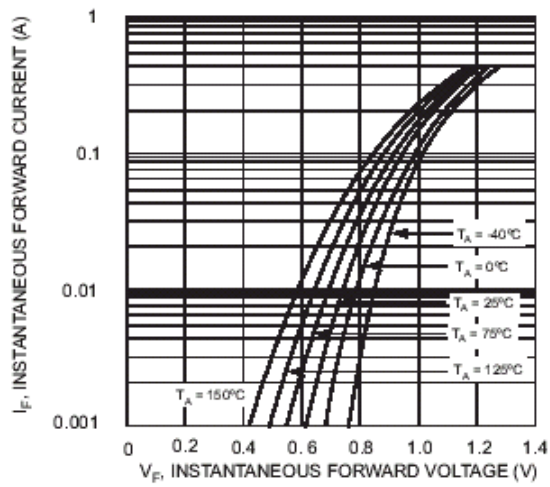


Fig. 1 Typical Forward Characteristics

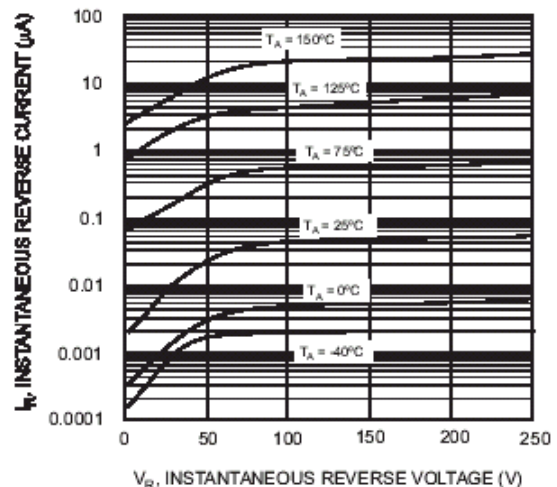


Fig. 2 Typical Reverse Characteristics

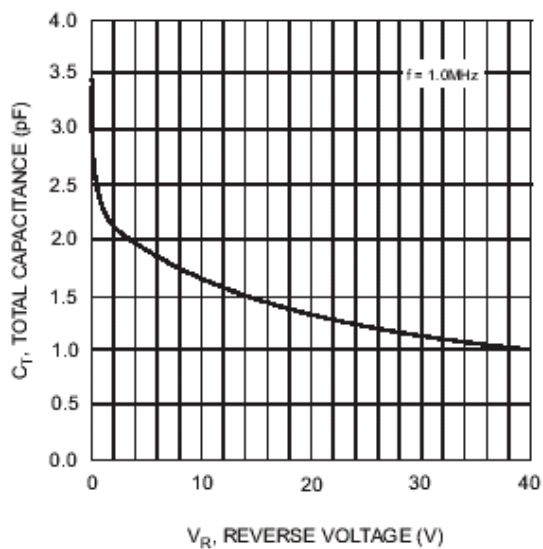


Fig. 3 Typical Capacitance vs. Reverse Voltage

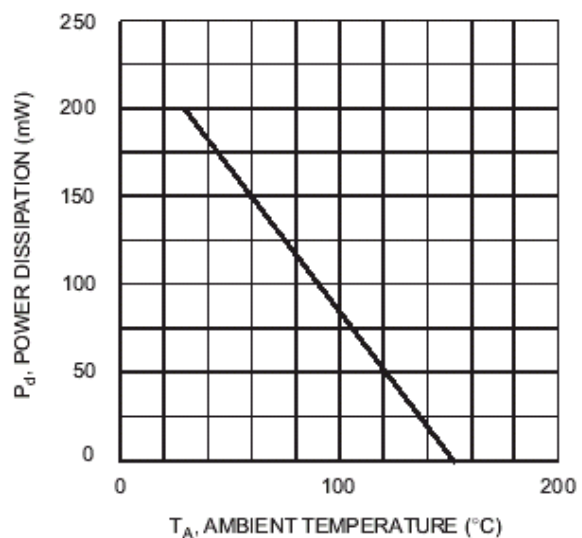
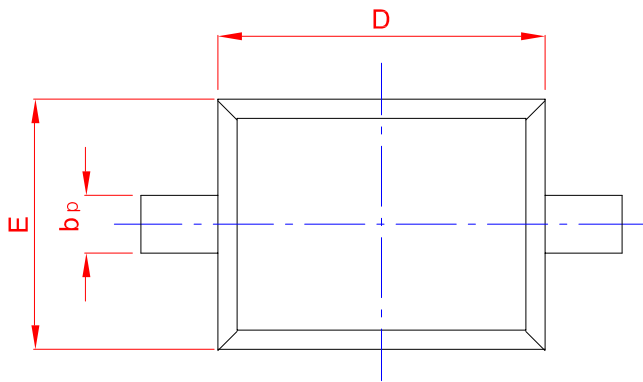
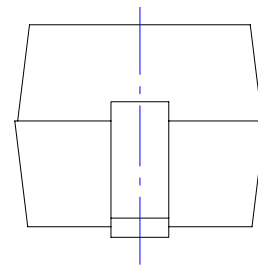
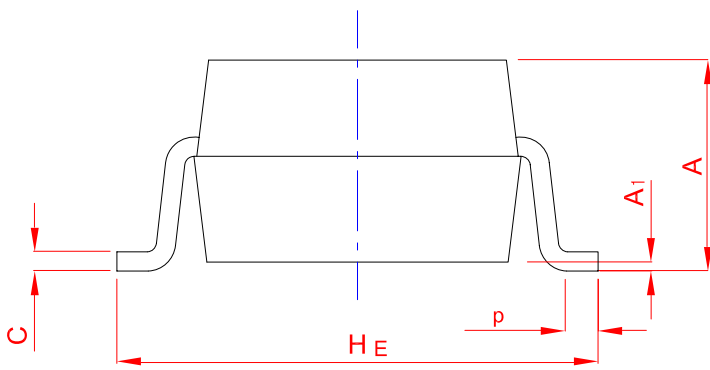
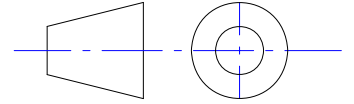


Fig. 4 Power Derating Curve, Total Package

# PACKAGE OUTLINE

Plastic surface mounted package; 2 leads

SOD-323



UNIT	A	$b_p$	C	D	E	$H_E$	$A_1$	$L_p$
mm	1.20	0.40	0.15	1.80	1.35	2.80	0.10	0.50
	0.90	0.25	0.10	1.60	1.15	2.30	0.01	0.20